

# Remote Control Electrical Roller Blinds

Instruction Manual for  
Model HT200

## Contents

### 1. Description of Remote Control Electrical Roller Blind

General Information

Technical Data

### 2. Parts List

Model HT200

### 3. System Assembly

Measurement and cut the tube length

Fixed the transmission box

Preparation and setting the blind

Wire connected (Single and Multi Sets)

### 4. Operation of Control Pad

Button function on Remote Control

Setting the operation of Control Pad

Operate the Control Pad

### 5. Operation of Remote Control

Button on Remote Control

Operate the Remote Control

Operate Instruction of Remote Control

### 6. Setting of Multi Control

### 7. Trouble Shooting

### 8. Warranty

### 9. Disclaimer

**1. Description of Remote Control Electrical Roller Blinds**

*Note: This product is for indoor use only.*

For your safety and comfortable, please read the instruction manual thoroughly before you prepared to install the product.

Our product is designed and developed for home improvement and under DIY concept. Customers can install the product according to the instruction manual easily; it is not necessary to find an expert for the installation.

The product is suitable for office, hotel and home use. This product is included transmission box, remote control, adaptor, manual control pad and wall/ceiling brackets

General features,

- a. Slim designed; weight and volume are 30% less than other similar product in the market.
- b. One remote control can operate 8 sets of units without interference each other.
- c. Open and close the roller blind by remote control or control pad.
- d. Stop at any position preferred.
- e. Simple and easy installation with draws and control system in one box.
- f. Installation is very easy for everyone.
- g. Safe and reliable designed with 12V DC transformer with GS, BS, CE or UL approval.
- h. Automatic stop in 2 seconds when the curtain is fully opened / closed.

Technical data

- a. Input voltage        110V-120V/60Hz or 220V-240V/50Hz
- b. Output voltage       12VDC
- c. Operation power     < 500Ma
- d. Stand by power       6W
- e. Maximum remote distance   12M
- f. Size of the blind       10square meter
- g. Output torque        5kg/cm    4.9N.M
- h. Travel Distance       5m
- i. Width                    2m

*Notes: You have to assembly the product before connected the power supply. After the green lamp of transmission box has been lighted up, then you can insert the control pad into the transmission box for setting. It is regular for the motor will have a little bit of movement.*

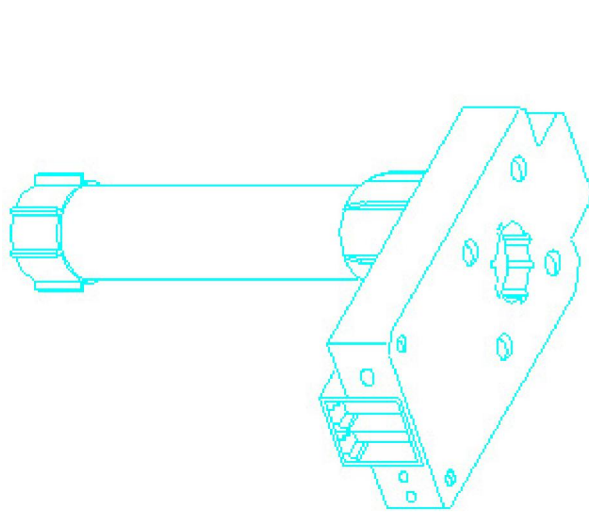


Figure 1

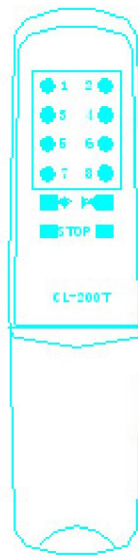


Figure 2

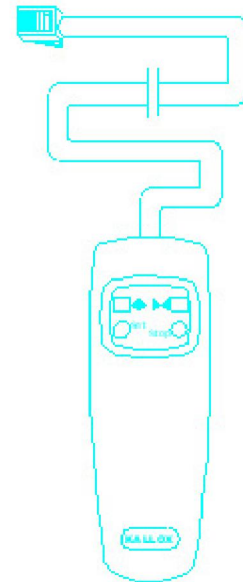


Figure 3

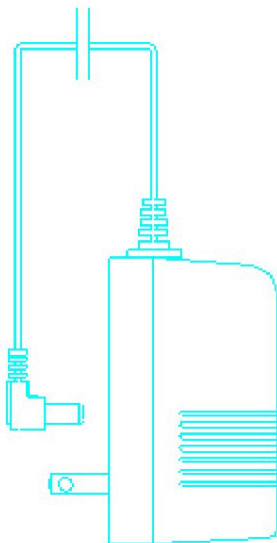


Figure 4

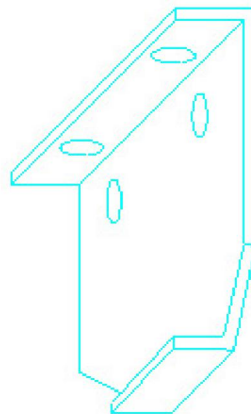


Figure 5

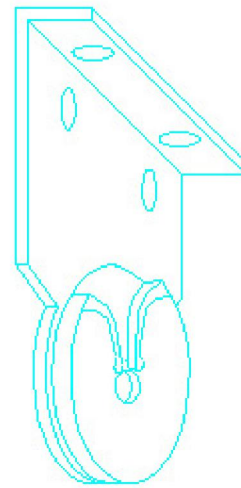


Figure 6

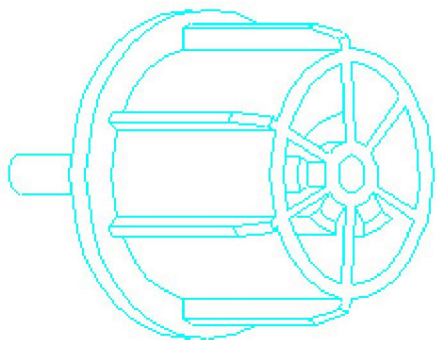


Figure 7

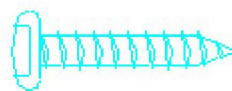


Figure 8



Figure 9

**2. Part List**

Model HT200

- a. One Transmission box (Figure 1)
- b. One Remote Control (Figure 2)
- c. One Control Pad (Figure 3)
- d. One Adaptor (Figure 4)
- e. One Front Shelf (Figure 5)
- f. One Back Shelf (Figure 6)
- g. One Back Wheel (Figure 7)
- h. Four pieces of screw (Figure 8)
- I. Four Pieces Of plastic plug (Figure 9)
- j. Two pieces of AA size battery (Figure 10)
- i. One pieces of Aluminum tube of 38mm diameter. (The length is according to the standard packing.)
- j. One bottom rod.
- k. Two pieces plastic cap for the bottom rod.

**3. System Assembly**

**Warning:** *Children should stay away while the system is under assembly and installation.*

Aluminum Tube Length

The length of the tube should be cut into proper length. There are two methods for the installation.

One is inner installation: The roller blind is installed inside a window; the tube length should be 3cm less than the window width. (Figure 10)

Another is installed over covering of the window; the tube length should be 7cm longer than the window width. (Figure 11)



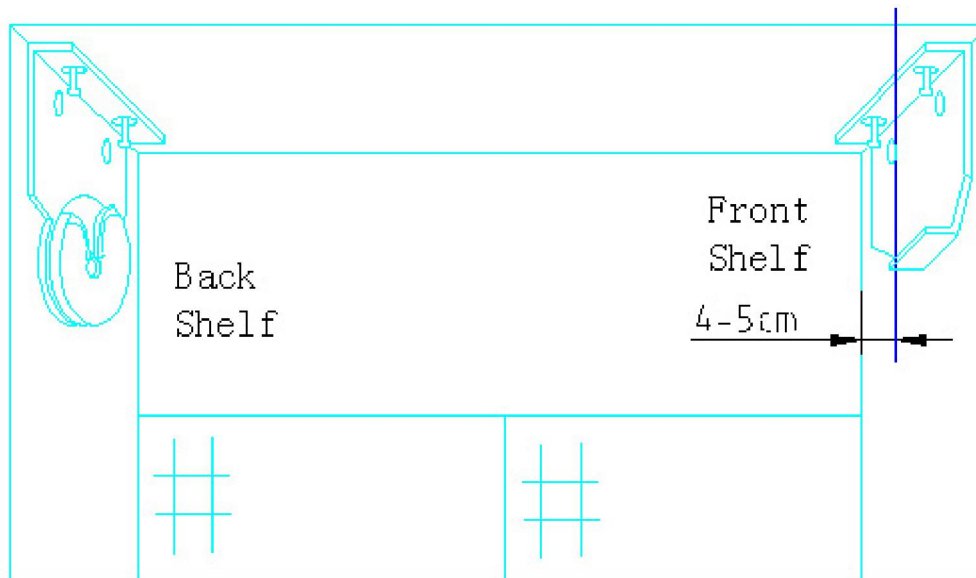
- a. Measure the require length for the tube and cut the tube by handsaw. Please note that the cutting edge should be perpendicular, flat and clear, burrs do not allow.

Wall/ Ceiling Shelf Installation

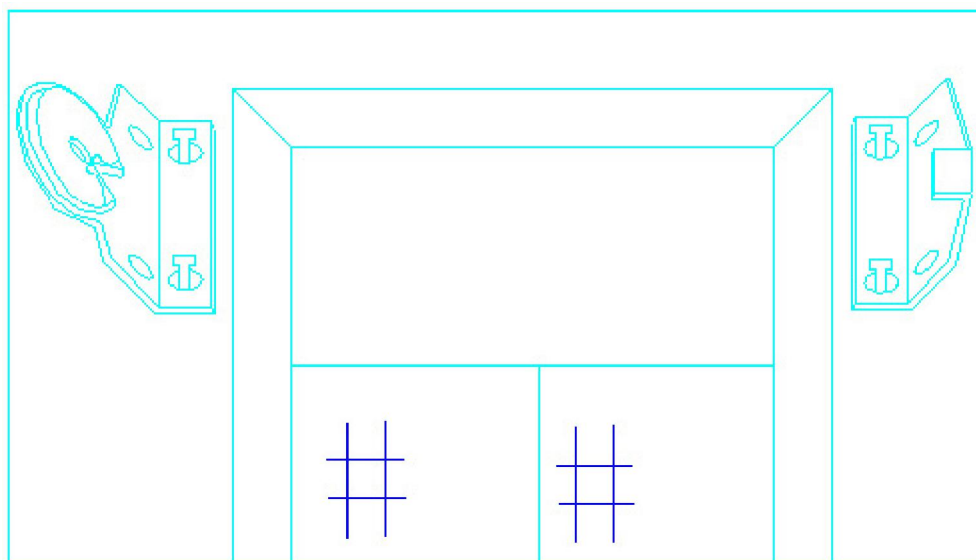
The system is designed to install on the ceiling, (fig 10), or wall, (fig 11).

Different materials require different methods to mount the shelves to the ceiling or the wall. The package comes with plastic plugs and screws.

**Notes:** *The shelves should be mounted on the same surface and straight line. Must leave some space between the wall and the shelves. (Fig 10)*

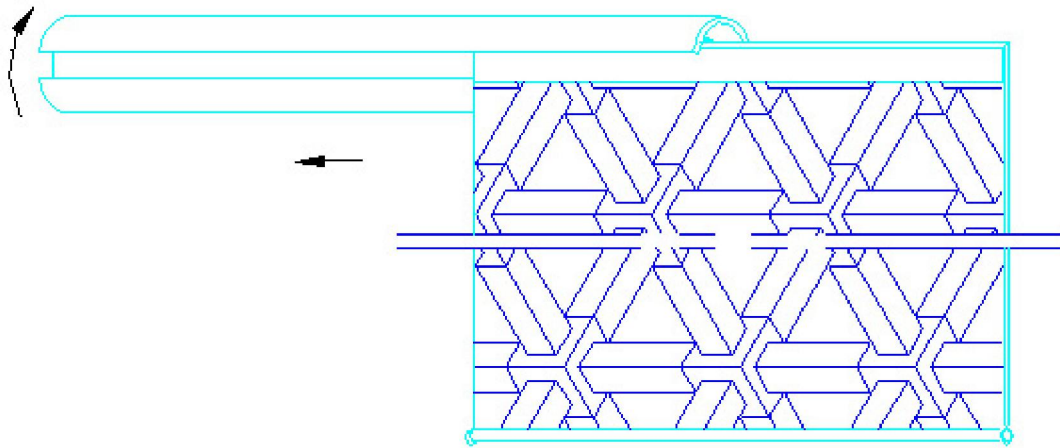


Inner installation/Ceiling installation (Figure 10)



Covering window installation (Figure 11)

Insert the suitable blind into the groove of Aluminum tube until they are flat in position. Then turn the tube several times according to clockwise direction that is assured the tube turning direction that is assured the tube turning direction when you are setting the operation program. (Figure 12).

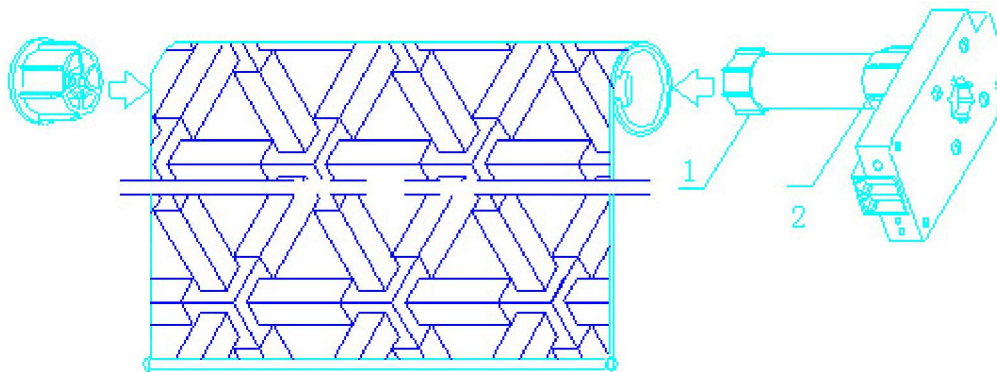


(Figure 12)

3.4 Place the bottom rod and plastic cap at the bottom of the blind.

3.5 The back wheel and transmission box must be inserted into the Aluminum tube on each end. (Fig 13)

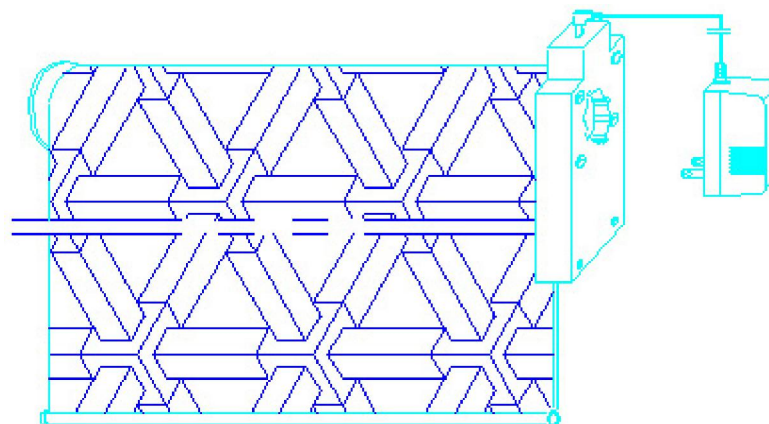
**Notes:** Please insert the shaft of the transmission box into the groove of Aluminum tube from bigger pitch and must insert the open sector of base gear into the groove the Aluminum tube.



(Figure 13)

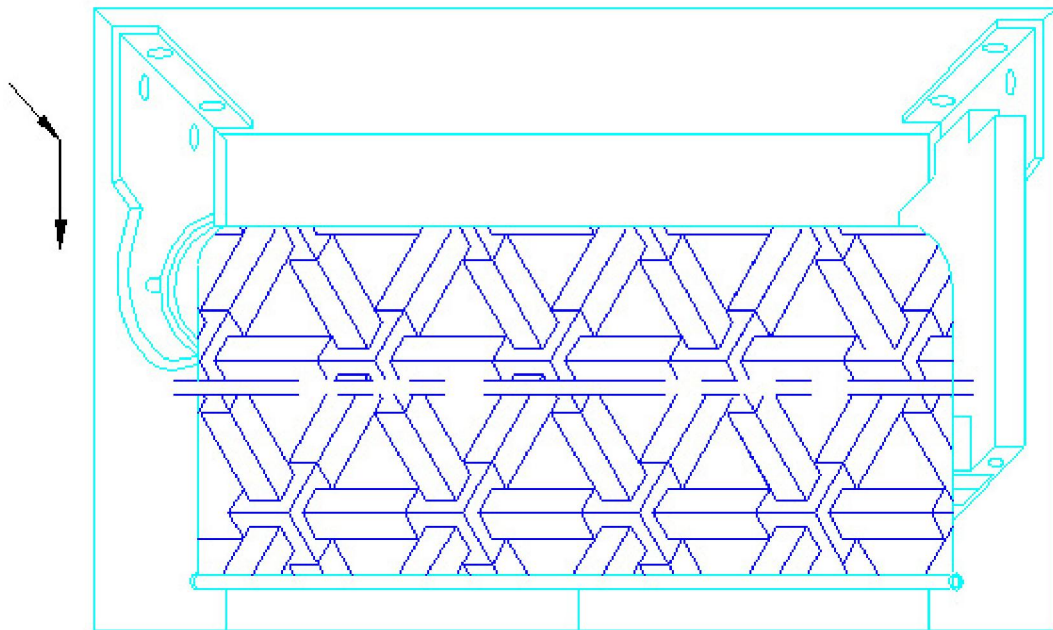
3.6 Connect the wire for single set

3.6.1 Insert the plug of the adaptor into the transmission box. (Figure 14)



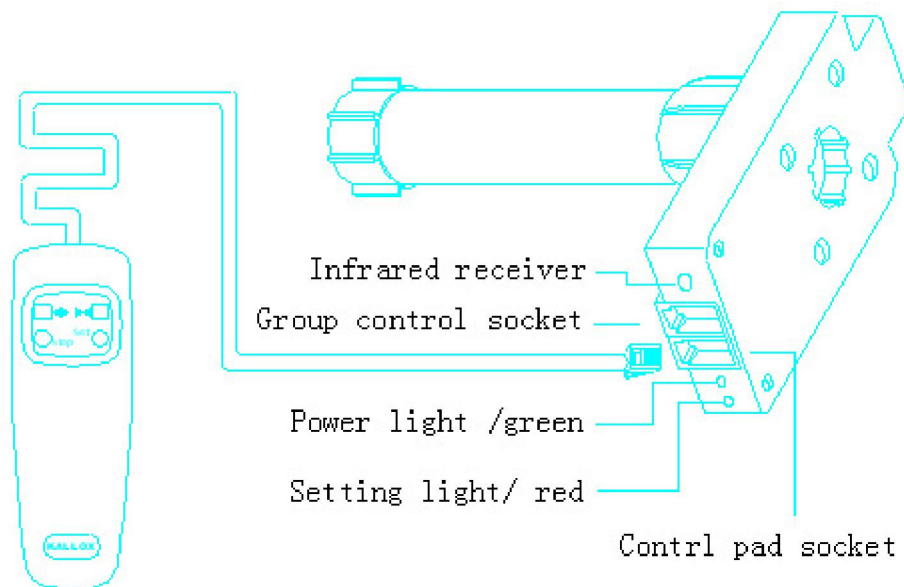
(Figure 14)

And install the transmission box and Aluminum tube on the front shelf; also install the back wheel's side on another shelf. (You may push the back wheel's side into the shelf by slight force until you heard a slightly "click" sound.)



(Figure 15)

- 3.6.2 Insert the plug of control pad into the correspondent socket of the transmission box. (FIGURE 16).
- 3.6.3 Put the adaptor into the power supply socket. Please note that the adaptor must match the power voltage.



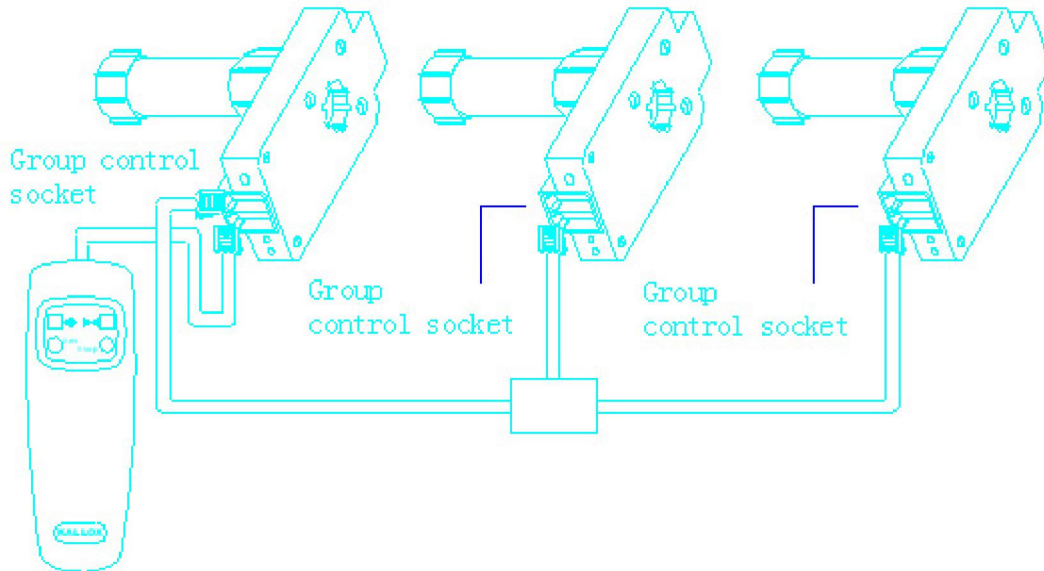
(Figure 16)

*Notes: If the products needn't group control, please go to the 4. Use of control pad.*

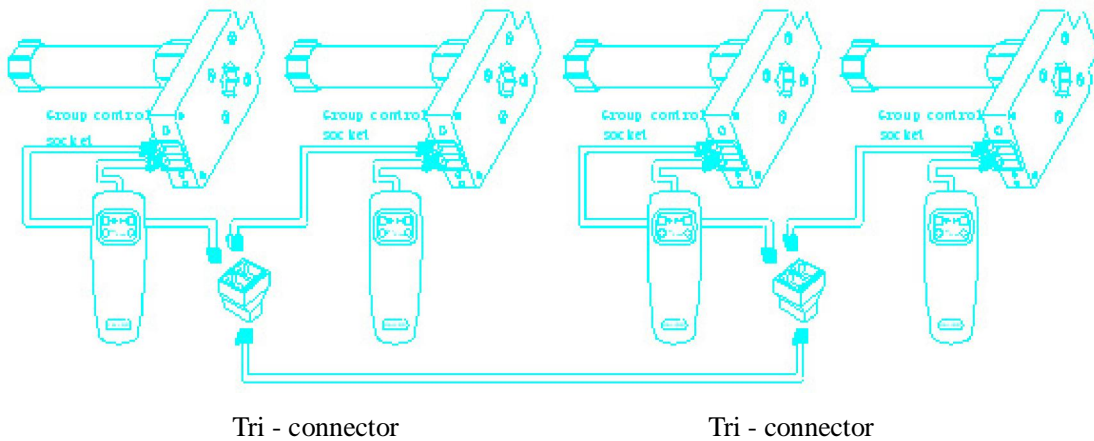
3.7 Connect the wire for group control

The product can be set by group control. Customers have to prepare wire for connecting. (We can make the wire for group control according to customers' requirement.)

- 3.7.1 You have to buy the six-core telephone's wire, plug and tri-connector by yourself.
- 3.7.2 Cut the telephone wire into suitable length according to your requirement and the number of units.
- 3.7.3 Use a professional clamp to fix the plug and the wire, and then insert the plug into the socket of transmission on box. The plug must be inserted in the corresponding socket.



Tri-connector (Figure 17a)



(Figure 17b)

**Notes:** Please note that the six-core wire must be corresponding when connecting for group control. If you install the control pad for each unit, the product can be operated individually even you have set up the group control.

- 3.7.4 You can connect many units (figure 17a and 17b) according to your requirement. If you install the control pad each unit, the product can be operated individually even you have set up the group control.
- 3.7.5 Put the adaptor into the power supply socket. Please note that the adaptor must match the power voltage.

**4. Use of Control Pad**

Button function on the control pad. (Figure 18)

- a. “◀▶” Is operated the blind to upraise.
- b. “▶◀” Is operate the blind to fall down.
- c. “SET” is a setting button.
- d. “STOP” is a stop button.

Please note that the installation of transmission box and the turning accord to the manual instruction. If you install the transmission box in a the function of “◀▶” and “▶◀” will be changed to opposite operation.

Setting the operation program

Setting the blind number

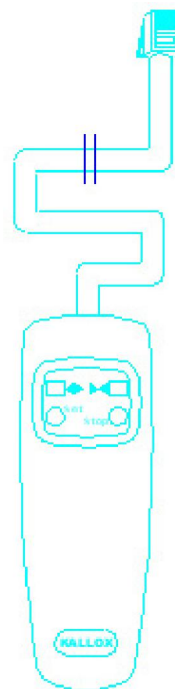
- a. Select the blind number from 1-8. (E.g. No.8)
- b. Use the remote control to face the transmission box, and press the no.8 button.

- c. Press the button “SET” for 6 times that cannot exceed 10 seconds between every press action. The transmission box is ready for setting while the Red lamp is lighted.
- d. Press the “SET” button first and press “◀▶” simultaneous until the Red lamp is flashed, then the blind number will be selected.

Setting the top and the lowest position

This procedure must follow the setting of blind number (Read 4.2.1) and the Red lamp is still lighted on.

- a. Setting the top position. Press “◀▶” button to operate the blind upraise until you prefer top position, then press the “STOP” button until the Red lamp is flashed.
- b. Setting the lowest position. Press “▶◀” button to operate the blind falling down until your preferred lowest position, and then press the “STOP” button until the Red lamp is flashed.
- c. Waiting for over 10 seconds, the setting is finished after the Red lamp is off automatically.



direction must wrong direction,

(Figure 18)

*Notes: You cannot set blind number when the Red lamp is lighted on. But you can set the top and the lowest position time by time until you are satisfied.*

*For better outlook, there should be left 1-2 roll of blind on the Aluminum tube when you are setting the lowest position.*

Operation of Control Pad

- a. Press “◀▶” button to open the blind until the top position.
- b. Press “▶▶” button to close the blind until the lowest position.
- c. Press “STOP” button, the blind will stop at any prefer position.

Please do not pull the blind by force otherwise it will damage the transmission box and the blind will fall off.

**5. Remote Control**

Button function on the remote control. (Figure 19)

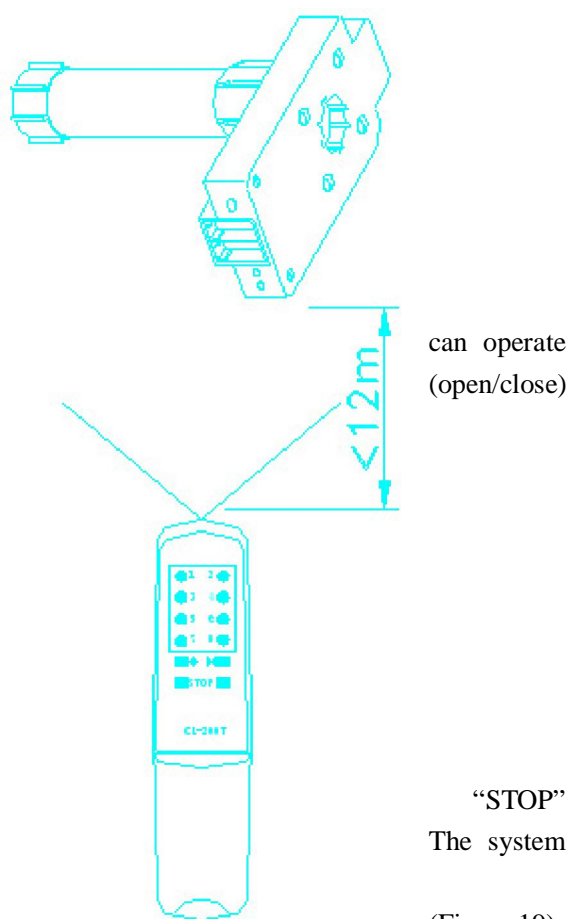
- a. “◀▶” Button operates the blind upraise
- b. “▶▶” Button operates the blind falling down.
- c. “STOP” is a stop button.
- d. No1-8 is the number button, which use for number select and remote control.

Use of Remote Control. (Figure 19)

After the switch number is set, using the remote control the corresponding blind. The procedure to operate the blind No.8

- a. Press button No.8 on the remote control.
- b. Press “◀▶” or “▶▶” for open/close.
- c. Press “STOP” to stop the operation.
- d. You needn't to select another blind number once again if you haven't select another blind number, Please take out the batteries if you do not use the product for a long period.

The operation is similar for other blind number. If the button is not pressed, the blind will continue to open (closed). will stop automatically when it is fully opened (closed).



“STOP”  
The system  
(Figure 19)

## 6. Group Operated

This product can be operated by group control. It can be used a control pad or remote control to operate from 1 to 8 units simultaneously. (Figure 17q and 17b are the connected method.)

- a. Connected the transmission box with exactly wire connection. (Read 3.7 connected the wire for group control.)
- b. Every transmission box with power supply, one of which should be selected as the main unit.
- c. Select the blind number for the main unit. (Read 4.2.1, setting the blind number.)
- d. Setting the top and lowest position of the blind for every unit. (Read 4.2.2, setting for the top and lowest position.)
- e. All the infrared receivers of the units must be isolated and covered except the main unit.

Procedure for the isolating and covering of infrared receivers,

Press the "SET" button 6 times first and press "STOP" button simultaneously until the Red lamp is flashed. After 10 seconds, the Red lamp will be off. The infrared receivers are finished for the covering.

To release the covering of infrared receivers,

Press the "SET" button 6 times first and press "STOP" button simultaneously until the Red lamp is flashed. After 10 seconds, the Red lamp will be off. The infrared receivers are finished to release.

## 7. Trouble Shooting

- a. Q: Cannot control the specific blind.  
A: The blind number does not set properly  
S: Reset the operation program.
- b. Q: Loud noise from the motor.  
A: The front shelf and back shelf are not installed on a straight line;  
The space is too small between the Aluminum tube and shelves or the product is over loading.  
S: Adjust the front shelf or the back shelf until they are alignment, leave 1-2mm space between the tube and shelves and do over loading.
- c. Q: Remote control and control pad not function.  
A: Problem with supply of electricity, the distance is over 12 meters, batteries for the remote control and receiver.  
S: Check the distance that is not over 12 meters, supply of electricity, the socket, and the batteries in the remote control, remove obstacle object away from the receiver.
- d. Q: The transmission box does not stop automatically on preset position when the Red lamp is flashed.  
A: Improper use the button or the setting of operation program is incorrect.  
S: Turn off the electricity for over 10 seconds. Restart the unit and set the operation program again.
- e. Q: The Red lamp does not light up when turn on the unit.  
A: There is no electrical supplied.  
S: Check with the supply of electricity.

## 8. Warranty

HC CHINA Limited extends a One Year Limited Warranty for the system. The products are inspected and tested before delivery. The products are warranted to be free of defect from workmanship and material for a period of one year from the date of original purchase with invoice.

This Warranty does not apply where:

1. Repairs have been attempted by others.
2. Repairs have been attempted by others.
3. Repairs are required due to normal wear and tear.
4. The product has been misused.
5. The product has been improper install or install by force.
6. The product has been modified other than the instruction from this manual.

Warranty is only apply to this product and does not apply to any damages due to installation, improper installation, improper installation, use and misuse of this product.

The sale of this product does not include the assembly, disassembly and reassembly of the equipment or parts.

## **9. Disclaimer**

HC CHINA reserves the right to make product specification changes without prior notice.

HC CHINA reserves the right to make any corresponding changes or improvement on items, accessories that were sold before and to stop production of models or accessories without prior notice.